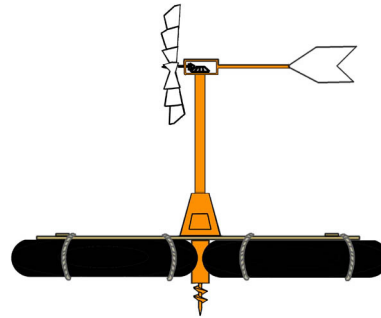
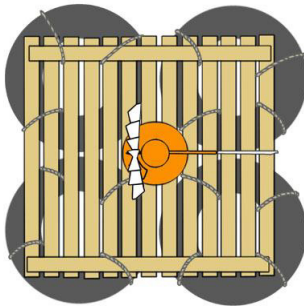


The *Tidal Probe* is a tool that is helpful when soil samples are to be taken from the bottom of the North Sea. The North Sea has particularly extreme tidal movement, the water level dropping until vast stretches of mud are exposed. The probe drifts out with the tide and rests on the sea-bed. A wind-wheel at the top drives a drilling device underneath the probe to extract the sample. When the water returns, the probe can be pulled in by the floating rope. The sample can then be taken out of the hull through the top hatch.



Optionally, the *Tidal Probe* could be realised as a manned raft.